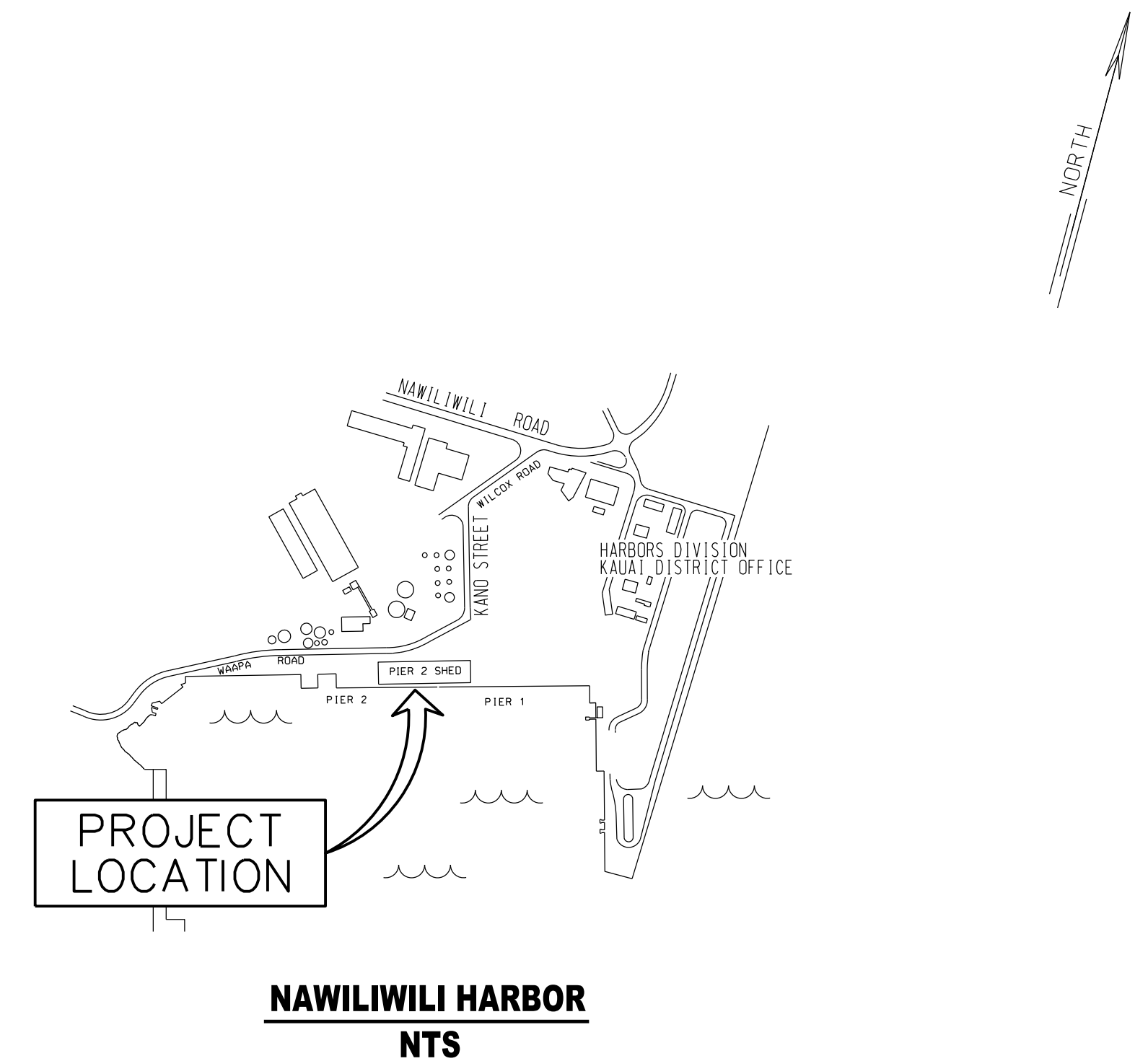
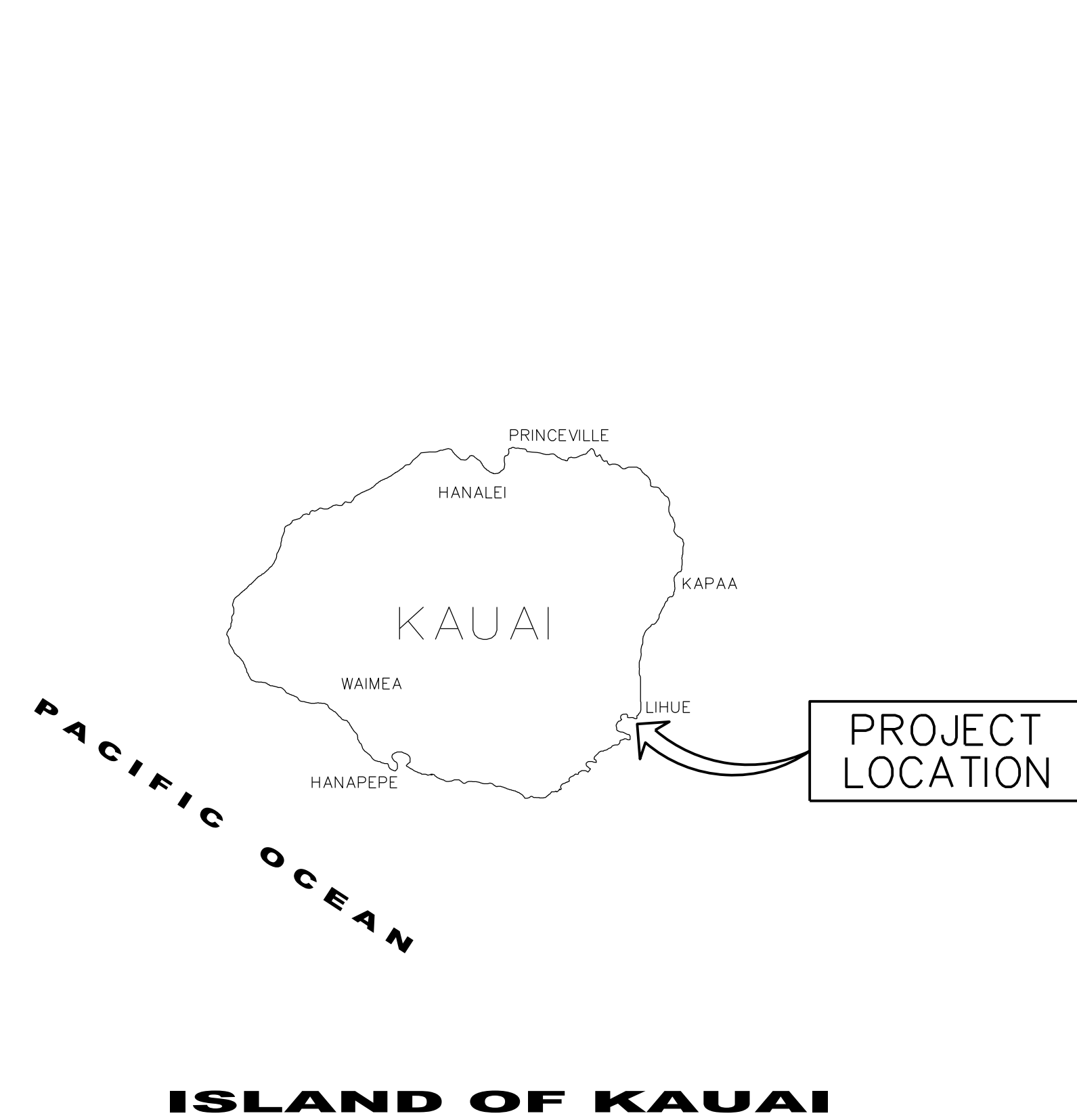
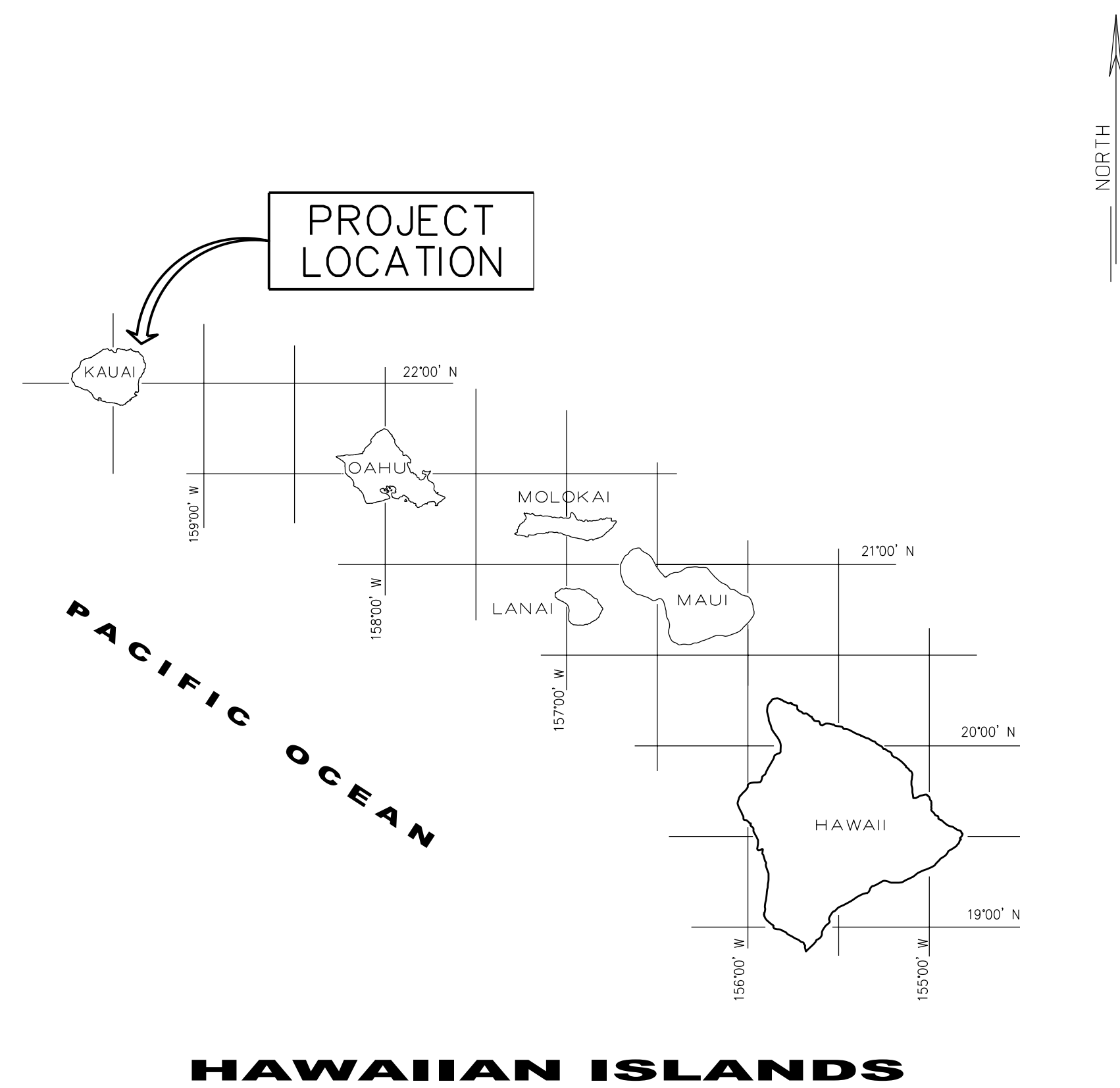



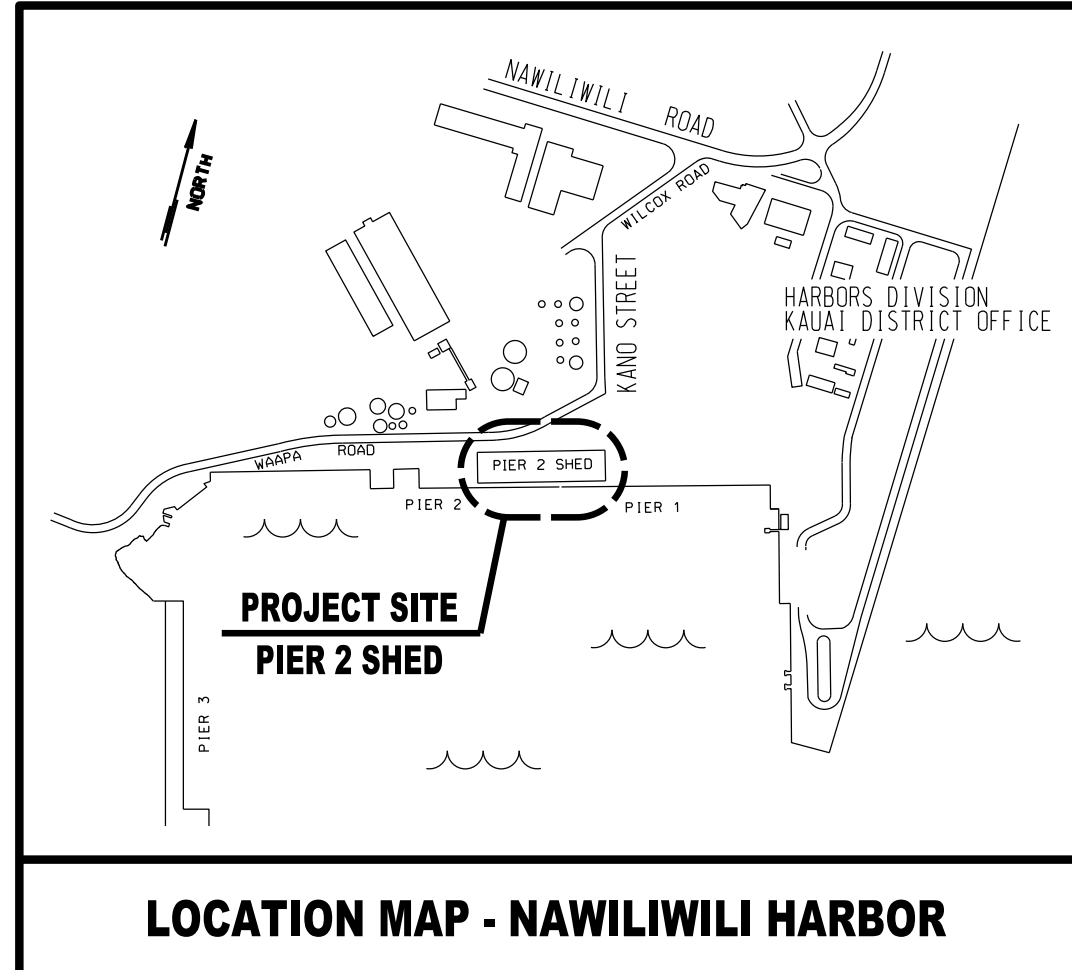
REPAIR FIRE SPRINKLER SYSTEM AT NAWILIWILI HARBOR, KAUAI, HAWAII

STATE OF HAWAII
DEPARTMENT OF TRANSPORTATION
HARBORS DIVISION

S70147R

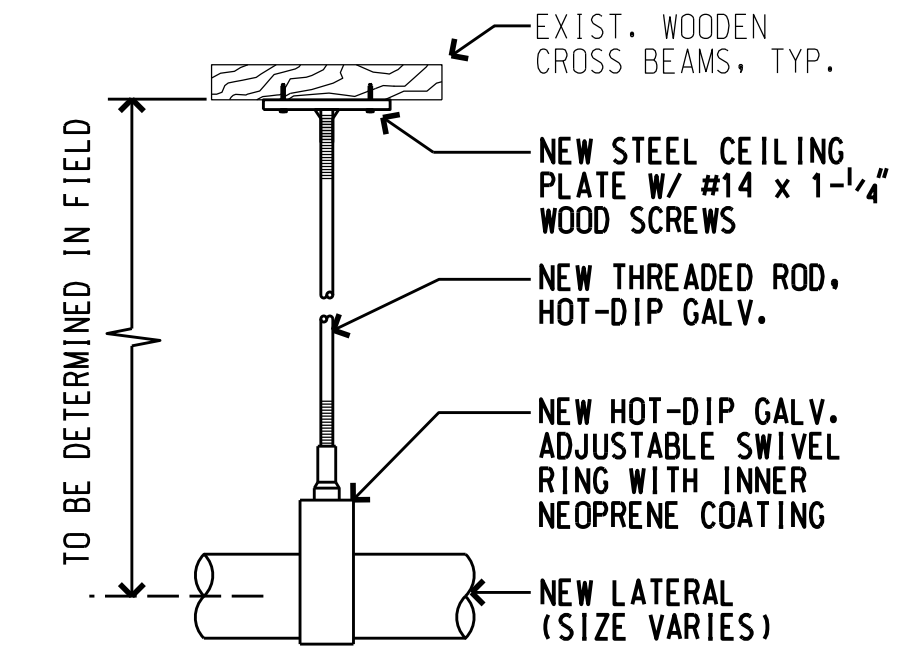


DEPARTMENT OF TRANSPORTATION STATE OF HAWAII		SHEET 1
APPROVED BY: 	Apr 14, 2023	
FOR DIRECTOR OF TRANSPORTATION	DATE	1 OF 2 SPTS.



LOCATION MAP - NAWILIWILI HARBOR

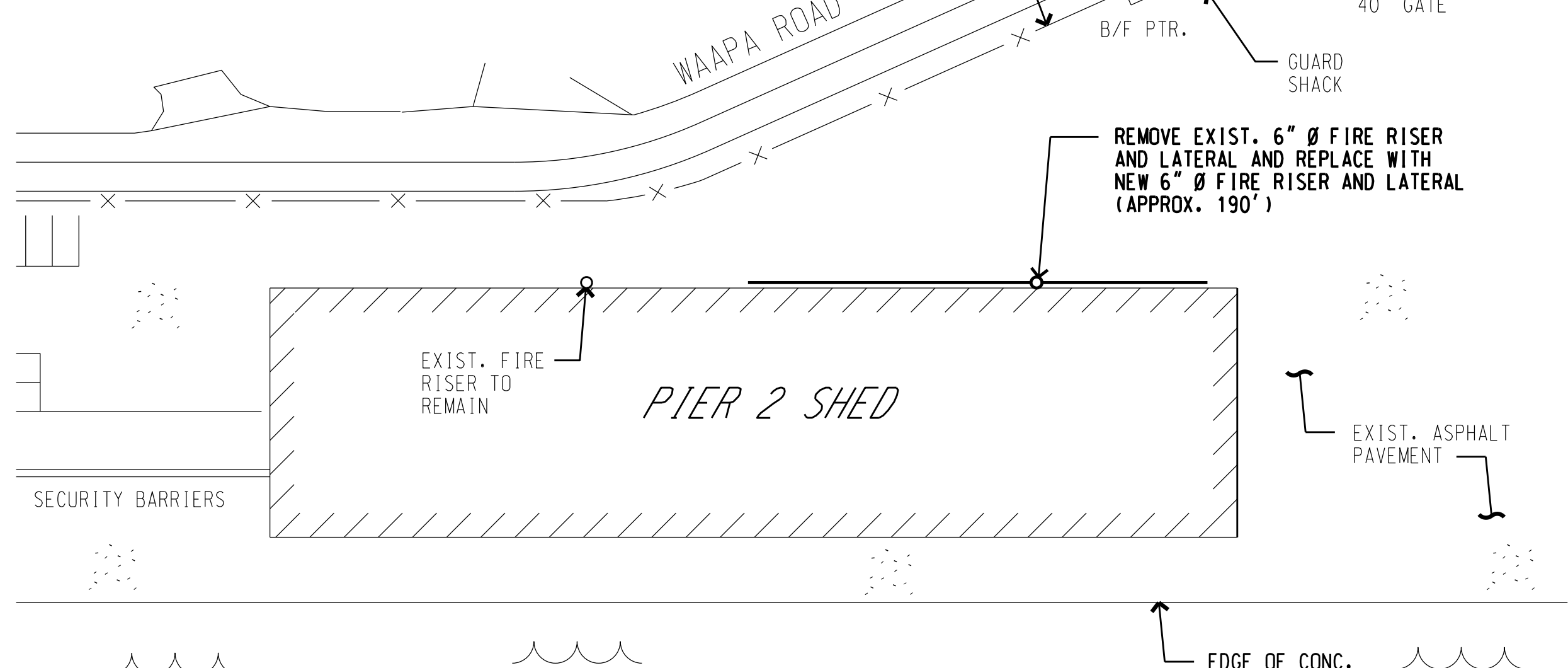
NOTE: NEW PIPE HANGERS SHALL BE INSTALLED @ 5'-0" O.C., TYPICAL



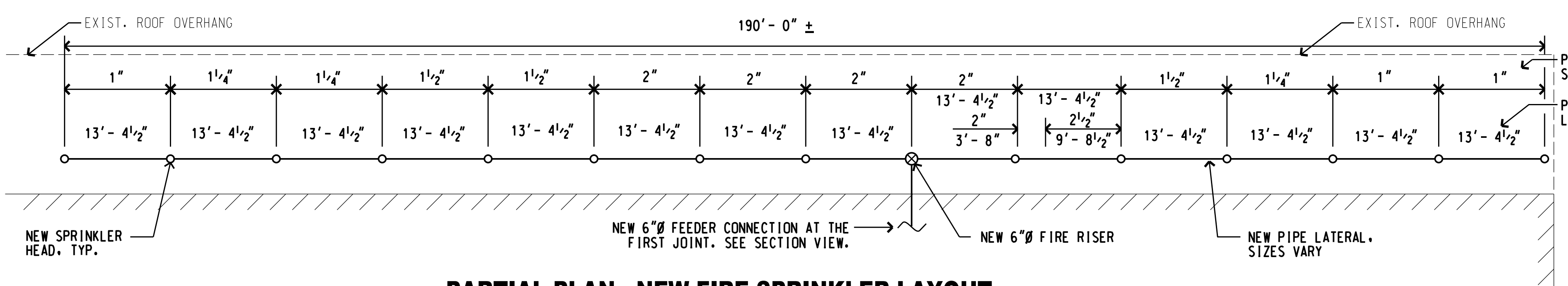
NEW PIPE HANGER DETAIL
NOT TO SCALE

GENERAL NOTES:

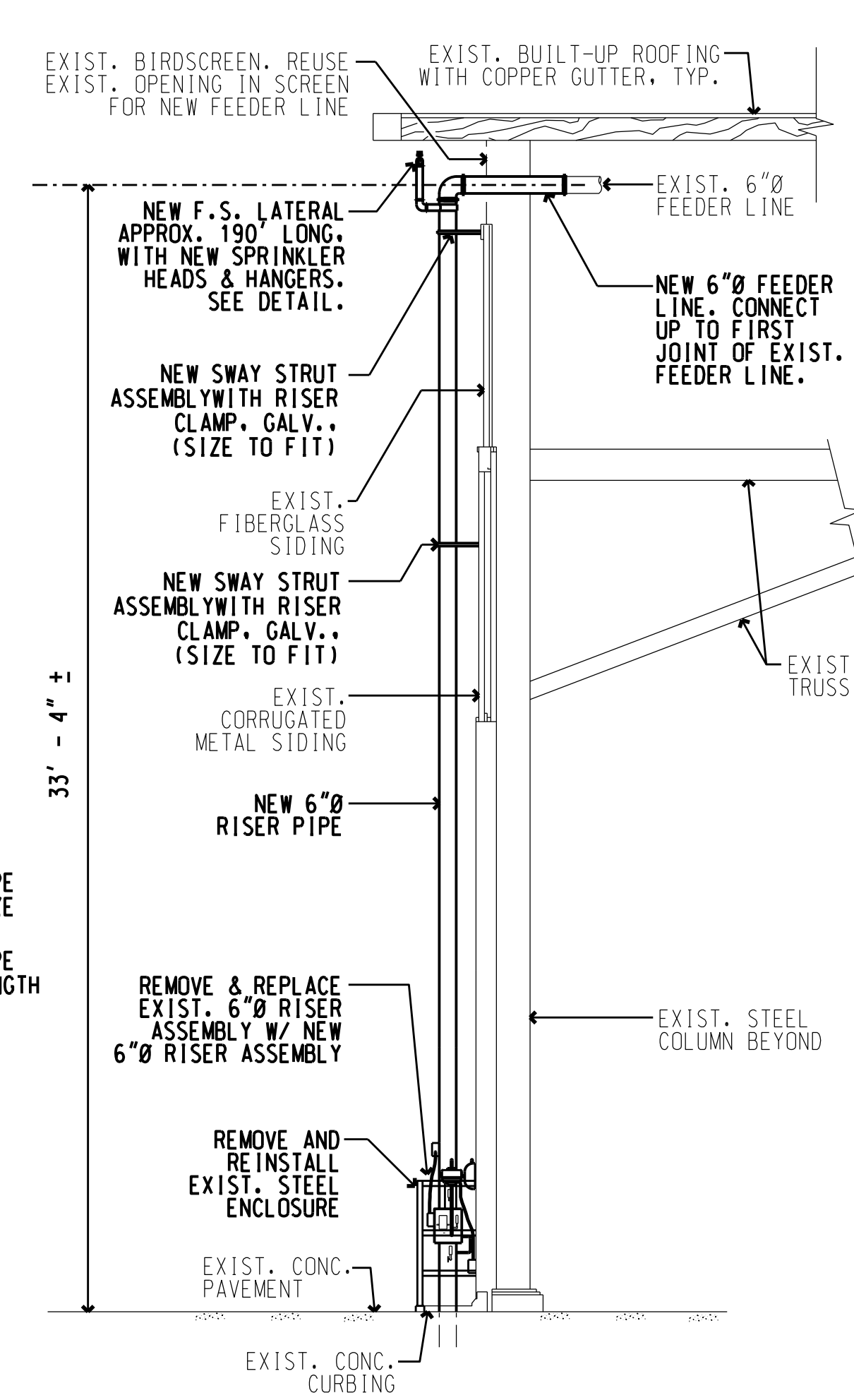
- CONTRACTOR SHALL VERIFY FIELD CONDITIONS AND DIMENSIONS IN THE FIELD PRIOR TO ORDERING MATERIALS.
- CONTRACTOR SHALL EXERCISE CAUTION TO PREVENT DAMAGE TO EXISTING STRUCTURES, UTILITIES, AND EQUIPMENT IN THE PROJECT AREA.
- ALL WORK SHALL BE COORDINATED WITH THE HARBORS DIVISION KAUI DISTRICT MANAGER, CONSTRUCTION ENGINEER, AND TENANTS TO MINIMIZE ANY INTERFERENCE WITH THE PIER AND SHED OPERATIONS AND TO MINIMIZE THE AMOUNT OF TIME THE FIRE PROTECTION SYSTEM IS OUT OF SERVICE. THE SYSTEM SHALL NOT BE OFF-LINE MORE THAN 24 HOURS. SPECIAL WATCHMEN SERVICES SHALL BE REQUIRED TO ASSURE PROMPT DETECTION OF ANY FIRE WHILE THE SYSTEM IS SHUT DOWN.
- ALL DEVICES AND EQUIPMENT SHALL BE UL LISTED OR FM APPROVED. CONTRACTOR SHALL PREPARE AND PAINT ALL EXPOSED SURFACES OF NEW FIRE SPRINKLER SYSTEM.
- ALL WORK SHALL CONFORM TO THE NATIONAL FIRE PROTECTION ASSOCIATION STANDARD (NFPA) NO. 13, THE REQUIREMENTS OF THE COUNTY OF KAUI, THE HAWAII FIRE CODE, AND THE MANUFACTURER'S RECOMMENDATIONS.
- THE SYSTEM SHALL BE TESTED IN ACCORDANCE WITH NFPA STANDARD NO.1 AND 13. SYSTEM SHALL BE DISINFECTED AS SET FORTH IN THE AWWA STANDARD C651. FLUSH MAINS TO SPRINKLER SYSTEM AND IF RESULTING WATER FROM TESTING AND DISINFECTION IS NOT CONTAINED, THE CONTRACTOR SHALL OBTAIN A NOTICE OF GENERAL PERMIT COVERAGE (NGPC) FROM THE HDH CLEAN WATER BRANCH AUTHORIZING SUCH DISCHARGES. THE CONTRACTOR SHALL COMPLY WITH THE CLEAN WATER ACT AND THE STATE OF HAWAII DEPARTMENT OF TRANSPORTATION HARBORS DIVISION STORMWATER MANAGEMENT PROGRAM. NO POLLUTANTS ARE ALLOWED TO BE DISCHARGED DIRECTLY OR INDIRECTLY THROUGH THE HARBORS SMALL MS4 OR OTHER POTENTIAL PATHWAYS INTO ADJACENT HARBOR WATERS.
- THE CONTRACTOR SHALL SUBMIT A SITE-SPECIFIC BEST MANAGEMENT PRACTICES (BMP) PLAN AND HEALTH & SAFETY PLAN TO HARBORS DIVISION CONSTRUCTION ENGINEER PRIOR TO THE START OF ANY CONSTRUCTION WORK. CLEAR WITH HAWAII ONE CALL CENTER (HOCC) BEFORE EXCAVATION (811) OR (866)-423-7287.
- IN CASE OF SPILL/RELEASE OF HAZARDOUS SUBSTANCE, OR ENCOUNTER CONTAMINATED SOIL, THE CONTRACTOR SHALL NOTIFY THE APPROPRIATE FACILITY PERSONNEL, EMERGENCY RESPONSE AGENCIES, AND REGULATORY AGENCIES FOLLOWING NOTIFICATION PROCEDURES, AND SHALL NOTIFY THE HDOT HARBORS DIVISION ENGINEERING BRANCH ENVIRONMENTAL HOTLINE (808)-587-1962 AND HARBORS DIVISION CONSTRUCTION ENGINEER IMMEDIATELY (i.e. WITHIN 24 HOURS). CONTACT INFORMATION MUST BE IN LOCATIONS THAT ARE READILY ACCESSIBLE AND AVAILABLE.
- IF PAINT ON EXISTING SPRINKLER SYSTEM CONTAINS LEAD, SEE REMOVAL AND DISPOSAL OF HAZARDOUS MATERIALS SECTION IN SPECIFICATIONS.



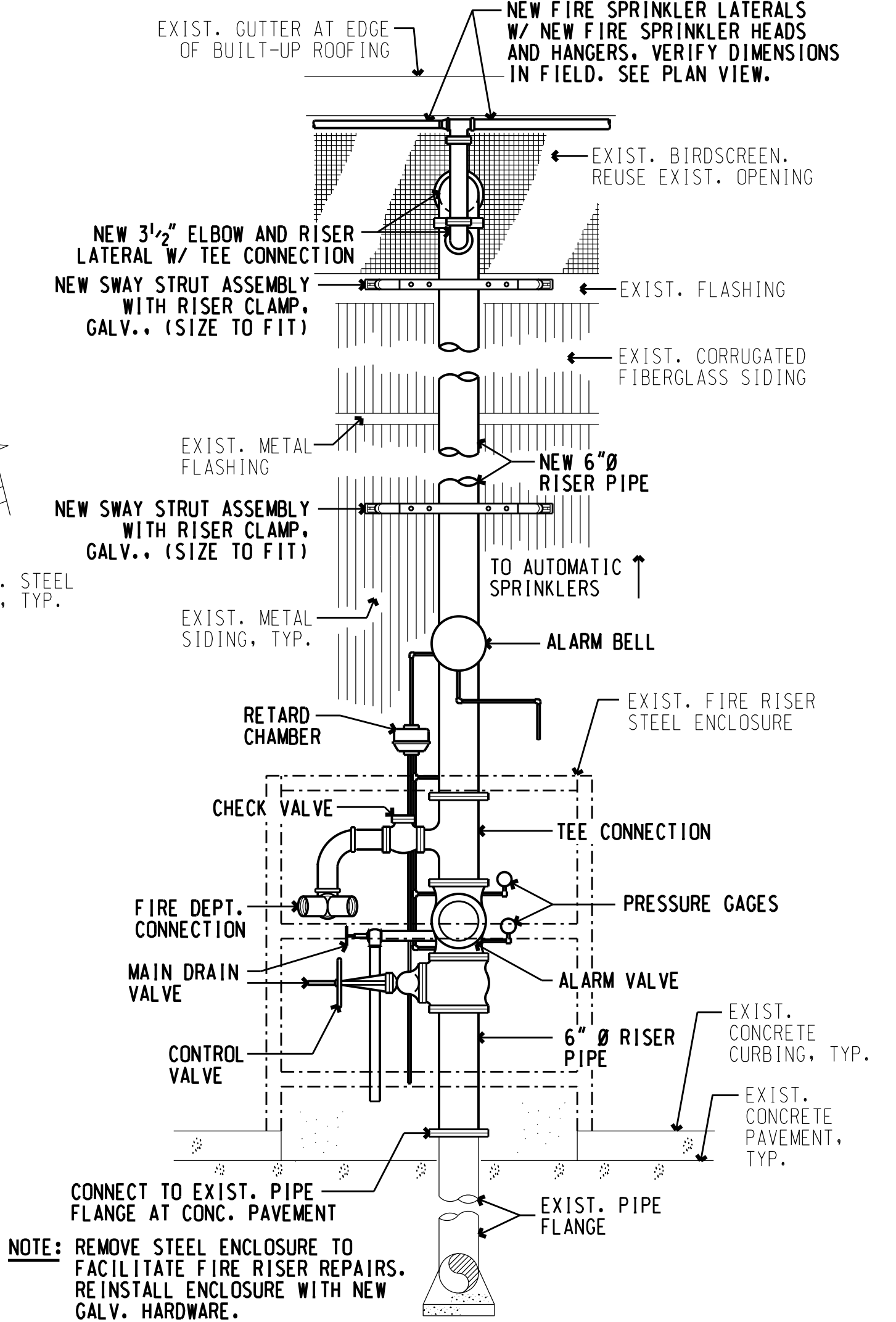
PARTIAL SITE PLAN
SCALE: 1" = 50'



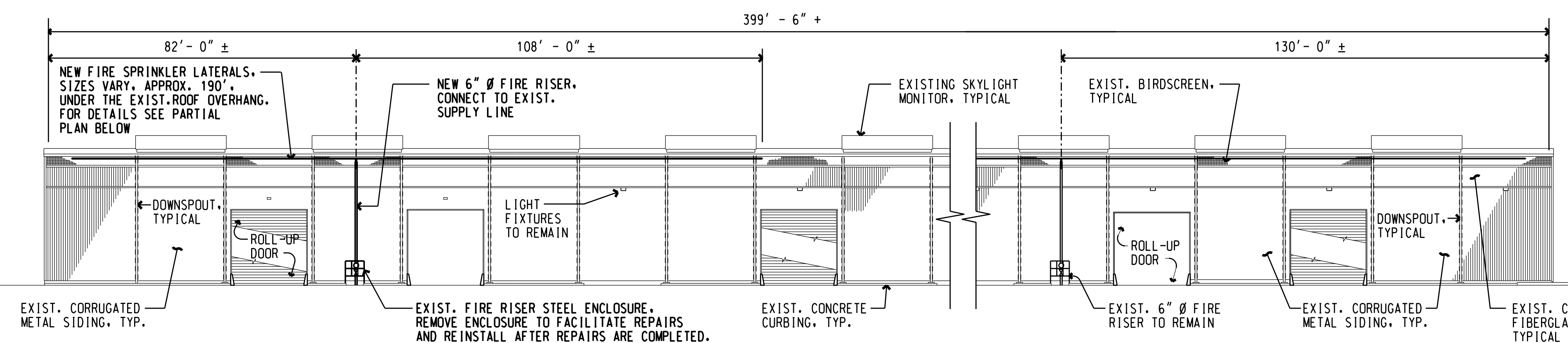
PARTIAL PLAN - NEW FIRE SPRINKLER LAYOUT
NOT TO SCALE



NEW FIRE RISER SECTION
SCALE: 1/4" = 1' - 0"



NEW FIRE RISER DETAIL
SCALE: 1/2" = 1' - 0"



NORTH ELEVATION - PIER 2 SHED
SCALE: 1" = 20'-0"

REV	DATE	DESCRIPTION	BY	APPROVED
STATE OF HAWAII DEPARTMENT OF TRANSPORTATION HARBORS DIVISION				
JOB TITLE REPAIR FIRE SPRINKLER SYSTEM AT NAWILIWILI HARBOR, KAUI, HAWAII				
SHEET TITLE SHED PLAN & ELEVATION, REPAIR DETAILS				
DESIGNED BY: JM				SHEET
DRAWN BY: JM				2
CHECKED BY: AF	JOB NUMBER			
DATE: APR 2023	S70147R			
SCALE: AS SHOWN				2 OF 2 SHETS